



## Weather Sensor IoT Product Providers



Provide accurate meteorological and agricultural sensors



Temperature / Humidity



Water



The soil



Environment



Sensing



# Company introduction

Changsha Zoko Link Technology Co., Ltd. (Brand: NiuBoL) : production and sales of soil sensors, automatic weather stations, wind speed sensor, wind direction sensor, ultrasonic sensor, Air temperature, humidity and pressure sensor, rain sensor, Visibility sensor and other sensors, and widely used in poultry breeding , greenhouse automation, irrigated agriculture, forest monitoring, digital agriculture and other application scenarios.

With reliable quality, complete range and reasonable price, our products are exported to many countries such as USA, UK, Portugal, Spain, Netherlands, France, Germany, Romania, Poland, Switzerland, Sweden, Albania, Russia, Belarus, South Korea, Japan, New Zealand, Australia, Qatar, UAE, Saudi Arabia, Serbia (Kosovo), Israel, Palestine, Uzbekistan, India, Pakistan, Bangladesh, Cambodia, Myanmar, Indonesia, Malaysia, Thailand, Singapore, Vietnam, Philippines,Trinidad and Tobago, Mexico, Colombia, Peru, Ecuador, Brazil, Chile, Argentina, Mauritius, Egypt, Algeria, Morocco, Uganda, Nigeria, Zimbabwe, Rwanda and South Africa. And we will always keep the momentum of development, continue to deeply expand the market, and cooperate with everyone for a win-win situation.

Whether it is treating products or customers, we have always been adhering to the business management philosophy of "seeking truth and being pragmatic, and striving for excellence". When dealing with products, every employee of Zoko Link is meticulous, and firmly grasps the quality of each product. When treating customers, we will provide the most professional advice and provide customers with the most professional and most suitable products. For after-sales, we value every customer's feedback and deal with customer needs immediately. A perfect after-sale can best reflect the true value of a product.

## Core competence



### Focus on agriculture

Deep technical precipitation  
User-centric  
Boutique to open up the market



### Fully self-produced

Professional R&D team  
Standardize the production base  
Standard Quality Control



### One-stop customized service

Better understanding of needs tailor-made  
System integration extension development  
Customized special service



### Sound service system

Professional marketing team  
Efficient technical support  
Reliable after-sales service



# Catalog

## 1 Weather Station Series

NBL-W-SS/Wind speed sensor	1
NBL-W-DS/Wind direction sensor	2
NBL-W-LBTH/Air temperature, humidity and pressure sensor	3
NBL-W-RS/Tipping bucket rain sensor	4
NBL-W-DRS/Double Tipping Bucket Rain Gauge	5
NBL-W-THPLC/Temperature, humidity, barometric Pressure, illumination and CO2 integrated sensor	6
NBL-W-51MUWS/5 in1 Ultrasonic Weather Station	7
NBL-W-71GUWS/7-in-1 Ultrasonic Weather Sensor	8
NBL-W-81GUWS/8-in-1 Ultrasonic Weather Sensor	9
NBL-W-91GUWS/9-in-1 Ultrasonic Weather Sensor	10
NBL-W-10GUWS/10-in-1 Ultrasonic Weather Sensor	11
NBL-W-RSS/Rain & Snow sensor	12
NBL-W-CO2/CO2 sensors	13
NBL-W-LUX/Illuminance sensors	14
NBL-W-SDS/Sunshine Duration Sensor	15
NBL-W-PARS/PAR Sensors	16
NBL-W-NS/Noise Sensors	17
NBL-W-SNOW/Snow Depth Sensor	18
NBL-W-VS/Visibility sensors	19
NBL-W-HPRS/ Total Solar radiation sensor	20
NBL-W-SRS/Solar Radiation Sensors	21
NBL-W-PPT/Photovoltaic patch temperature sensor	22

## Weather Station Series

overview control video

Update time: 2024-05-15 18:19:32

Device ID: 15112501



NBL-W-SS/The wind speed sensor adopts the traditional three-wind cup wind speed sensor structure, and the wind cup is made of carbon fiber material, which has high strength and good start-up; the built-in signal processing unit of the cup body can output the corresponding wind speed signal according to user needs.

Can be widely used in meteorology, ocean, environment, airports, ports, laboratories, industry and agriculture and transportation and other fields.



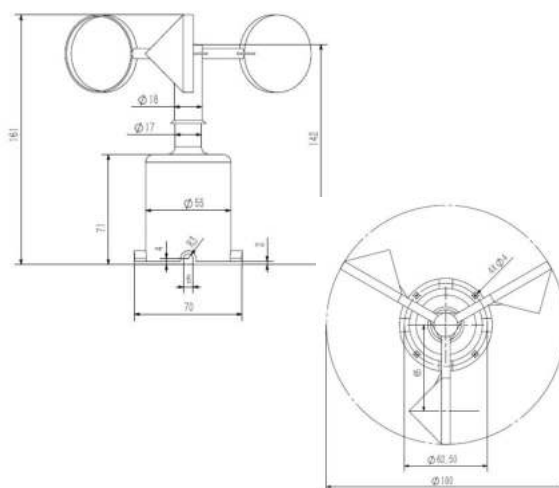
### Performance characteristics

- | Easy to observe and stable performance
- | Choose carbon fiber material
- | High strength, good start
- | Low power consumption and IP45 protection design

### Technical parameter

Measuring range	<input type="checkbox"/> 0-45m/s <input type="checkbox"/> 0-70m/s
Accuracy	$\pm (0.3+0.03V)$ m/s
Resolution	0.1m/s
Start wind speed	$\leq 0.5$ m/s
Power supply	<input type="checkbox"/> DC5V <input type="checkbox"/> DC12V <input type="checkbox"/> DC24V
Output signal	<input type="checkbox"/> 4-20mA <input type="checkbox"/> RS485 <input type="checkbox"/> 0-5V <input type="checkbox"/> 0-2.5V
Line length	Standard 2.5m (can be customized)
Load capability	Current-mode output impedance: $\leq 600\Omega$ Voltage type output impedance $\geq 1K\Omega$
Operating temperature	-40-50°C
Working humidity	$\leq 100\%$ RH
Protection class	Ip45
Product weight	130g
Product power consumption	50mW

### Product Size



### Installation method



### Specifications and models

Model	Power supply	output method	Description
NBL-W-SS			Wind speed sensor
	5V-		5V power supply
	12V-		12V power supply
	24V-		24V power supply
		A1	0-5V
		V2	0-2.5V
		A1	4-20mA
		W2	Rs485
		M	Pulse
For example: 5V-M: wind speed sensor (transmitter) 5V power supply, pulse output			

### Application field



Meteorological



Agriculture



Ocean



Environment



Harbor

NBL-W-DS/The wind direction sensor adopts a high-precision magnetic sensor chip, and selects a low-inertia ABS wind vane to respond to the wind direction, with good dynamic characteristics. The product has the advantages of large range, good linearity, strong lightning resistance, convenient observation, stability and reliability.

Can be widely used in meteorology, ocean, environment, airports, ports, laboratories, industry and agriculture and transportation and other fields.



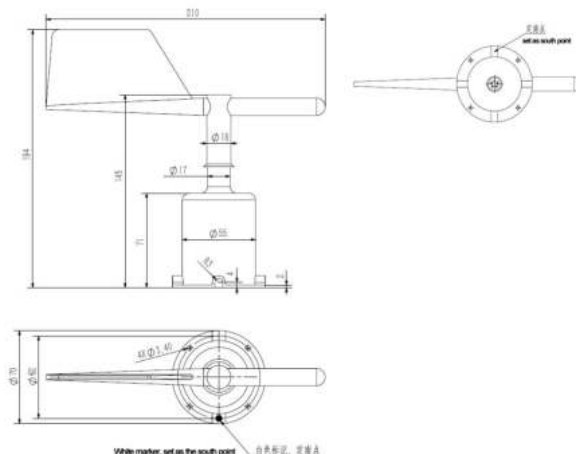
### Performance characteristics

- | Ip45 protection dynamic characteristics are good
- | Large range and good linearity
- | Strong anti-lightning ability
- | Easy to observe, stable and reliable

### Technical parameter

Measuring range	0-360°
Accuracy	±3°
Resolution	1°
Start wind speed	≤0.5m/s
Power supply	<input type="checkbox"/> DC5V <input type="checkbox"/> DC12V <input type="checkbox"/> DC24V
Output signal	<input type="checkbox"/> 4-20mA <input type="checkbox"/> 0-5V <input type="checkbox"/> 0-2.5V <input type="checkbox"/> RS485
Line length	2.5m (can be customized)
Load capability	Current-mode output impedance: ≤250Ω
	Voltage type output impedance ≥ 1KΩ
Operating temperature	-40-50℃
Working humidity	≤100%RH
Protection class	Ip45
Product weight	210g
Product power consumption	0.15W
Cable grade	Rated voltage: 300V Temperature class: 80℃

### Product Size



### Installation method



As shown in the picture, use M3 screws and nuts to pass through the sensor 4 mounting holes. Fasten the sensor to the mounting bracket. Please avoid disassembling the sensor during installation.

### Specifications and models

Model	Power supply	output method	Description
NBL-W-DS			Wind direction sensor
	5V		5V power supply
	12V-24V		12V-24V power supply
		V	0-5V
		A1	4-20mA
		W2	Rs485
Example: 5V-V: Wind direction sensor (transmitter) 5V power supply, 0-5V output			

### Application field



Meteorological



Agriculture



Ocean



Environment



Harbor

NBL-W-LBTH/The louver box type atmospheric temperature, humidity and pressure sensor is a fully digital detection, high-precision sensor. It is integrated with high-precision digital temperature, humidity and air pressure. It can accurately and quickly detect atmospheric temperature, atmospheric humidity and atmospheric pressure. The built-in signal processing unit can Output corresponding signals according to user needs, high-strength structural design can accurately detect in harsh weather environments. Can be widely used in meteorology, ocean, environment, airports, ports, laboratories, industry and agriculture and transportation and other fields.



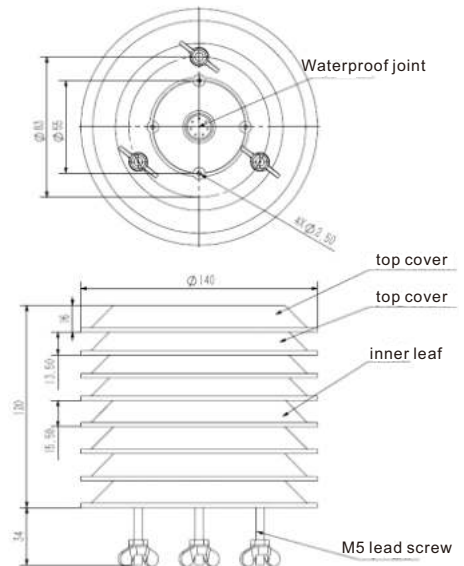
### Performance characteristics

- | Stable performance
- | Strong anti-interference ability
- | Rapid detection of atmospheric temperature, humidity and pressure
- | Low power consumption and IP65 protection design

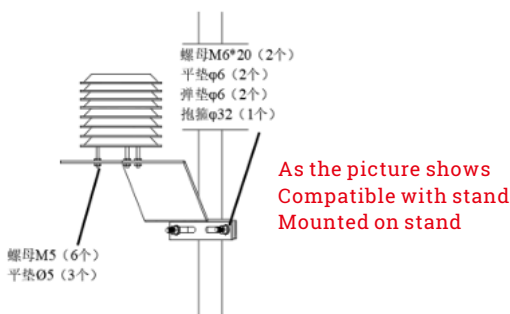
### Technical parameter

Options	Temperature	Humidity	Air pressure
Measuring range	-40 ~ 80°C	0 ~ 100%RH	10 ~ 1200hPa
Accuracy	±0.5	±5%RH	±1.5hPa
Resolution	0.1°C	0.1%RH	0.1hPa
Measuring range	DC 12V-24V		
Output signal	Rs485		
Protocol	MODBUS		
Materials	ABS		
Average power consumption	0.3W		
Baud Rate	9600		
Operating temperature	-40-70°C		
Operating humidity	≤100%RH		
Protection class	Ip65		

### Product Size



### Installation method



### Specifications and models

Model	Power supply	output method	Description
NBL-W-LBTH			temperature and humidity Air pressure sensor
	12V-24V		12V-24V power supply
		W2	Rs485
For example: 12V-W2: Sensor 12V power supply, RS485 output			

### Application field



Meteorological



Agriculture



Ocean



Environment



Harbor

NBL-W-RS/Rain sensor (Rain Gauge) is suitable for meteorological stations (stations), hydrological stations, agriculture, forestry, national defense and other relevant departments, used for remote measurement of liquid precipitation, precipitation intensity, precipitation start and end time

It can be used for automatic hydrological monitoring and reporting systems and automatic field monitoring and reporting stations for the purposes of flood control, water supply scheduling, power station and reservoir water management, etc.

### Performance characteristics

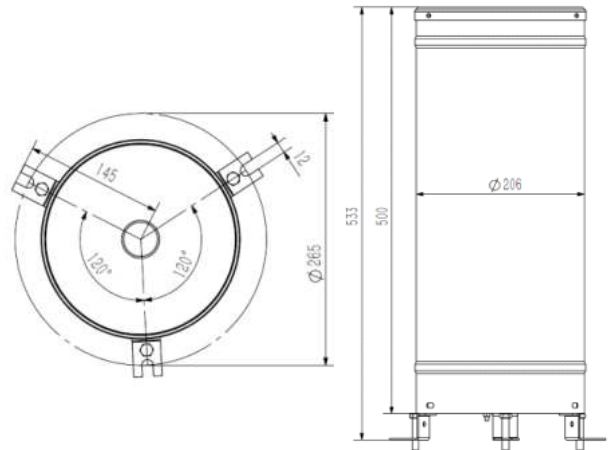
- | Stable performance
- | Anti-static and lightning protection measures
- | Extinction treatment, unique structure design
- | Low power consumption and IP65 protection design



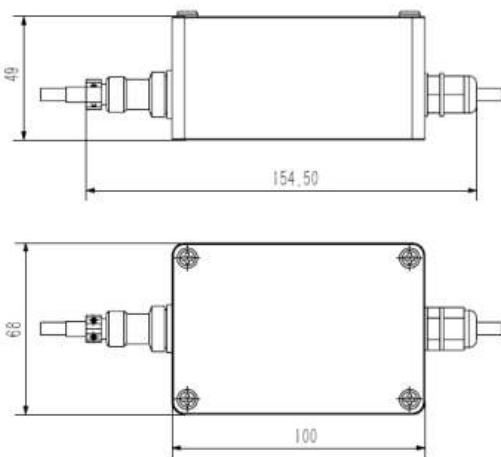
### Technical parameter

Water bearing diameter	Φ200 ± 0.6mm, outer edge angle 45 degrees
Measuring range	≤4mm/min (precipitation intensity)
Resolution	0.2mm (6.28ml)
Accuracy	±4% (indoor static test, rain intensity is 2mm/min)
Output signals	Switching signal: reed switch on/off    □ RS485 □ 0~2.5V    □ 0~5V
Operating temperature	0 ~ 50°C
Storage temperature	-40°C ~ 80°C
Product weight	Bucket weight 1700 g, total weight 3300 g
Power supply method	□DC5V   □DC12-24V

### Product Size



### Transmitter size



### Specifications and models

Model	Power supply	output method	Description
NBL-W-RS	12V-24V		Rain sensor (transmitter)
		S	Switching signal output
		V1	0-2.5V
		V2	0-5V
		RS	Rs485
	X	Others	

For example: NBL-W-RS-12V-S: Rain sensor 12V power supply, switch signal output

### Application field



Hydrographic Station



Weather station



Flood control



Power Station Reservoir



Agriculture and Forestry



NBL-W-DRS/Rain sensor (Double Tipping Bucket Rain Gauge) is suitable for meteorological stations, hydrological stations, agriculture, forestry, national defense and other relevant departments, used for remote measurement of liquid precipitation, precipitation intensity, precipitation start and end time

It can be used for automatic hydrological monitoring and reporting systems and automatic field monitoring and reporting stations for the purposes of flood control, water supply scheduling, power station and reservoir water management, etc.

### Performance characteristics

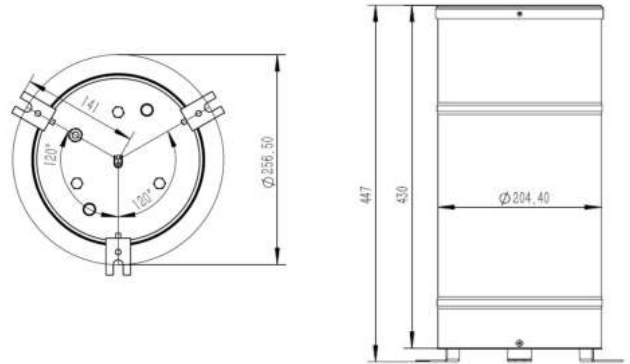
- | Stable performance
- | Anti-static and lightning protection measures
- | Extinction treatment, unique structure design
- | Low power consumption and IP65 protection design



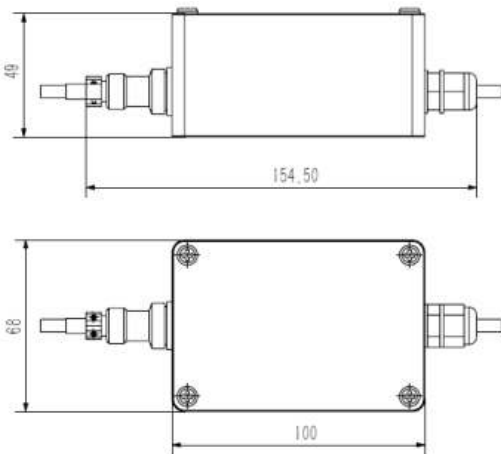
### Technical parameter

Water bearing diameter	Φ200 ± 0.6mm, outer edge angle 45 degrees
Measuring range	≤4mm/min (precipitation intensity)
Resolution	0.1mm (3.14ml)
Accuracy	±4% (indoor static test, rain intensity is 2mm/min)
Output signals	Switching signal: reed switch on/off □ RS485 □ 0~2.5V □ 0~5V
Operating temperature	0 ~ 6 0℃
Storage temperature	-40℃ ~ 8 0℃
Product weight	Bucket weight 2000 g, total weight 3500 g
Power supply method	□DC5V □DC12-24V

### Product Size



### Transmitter size



### Specifications and models

Model	Power supply	output method	Description
NBL-W-DRS	12V-24V		Rain sensor (transmitter)
		S	Switching signal output
		V1	0-2.5V
		V2	0-5V
		RS	Rs485
	X	Others	

For example: NBL-W-DRS-12V-S: Rain sensor 12V power supply, switch signal output

### Application field



Hydrographic Station



Weather station



Flood control



Power Station Reservoir



Agriculture and Forestry

NBL-W-THPLC/ 5 in 1 temperature, humidity, barometric pressure, illumination and CO2 sensor is a fully digital detection, high-precision sensor, is composed of high-precision digital temperature, humidity, barometric pressure, CO2 and high sensitivity silicon blue volt detector as illumination sensor integration, can be accurate and fast detection of atmospheric temperature, atmospheric humidity, illumination, CO2 and barometric pressure values.

Widely used in meteorology, marine, environment, airports, ports, laboratories, industry, agriculture and transport.



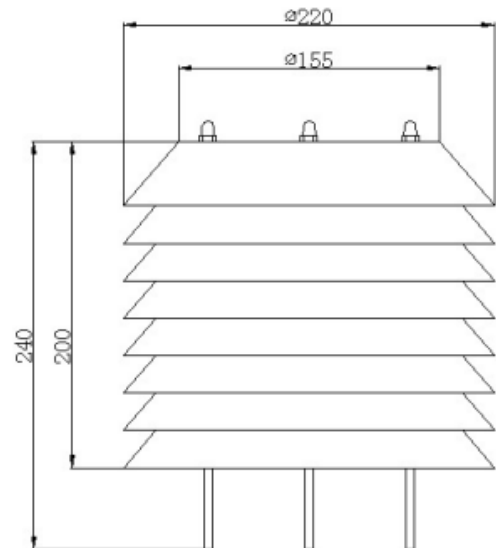
### Performance characteristics

- Fast detection of temperature and humidity, pressure, illumination, Co2
- Accurate detection in harsh climatic environments
- Stable performance
- Low power consumption and IP65 protection design

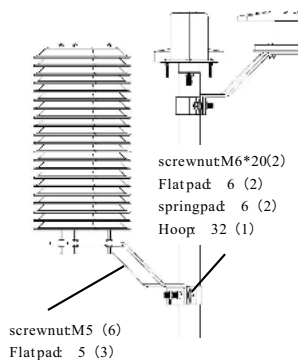
### Technical parameter

Options	Temperature	Humidity	Air pressure
Measuring range	-50 ~ 100℃	0 ~ 100%RH	500 ~ 1100hPa
Accuracy	±0.5	±5%RH	±0.3hPa
Resolution	0.1℃	0.1%RH	0.1hPa
Options	illumination	Co2	
Measuring range	0-200000Lux	0~2000ppm	
Accuracy	1Lux	± (40ppm+2%F+S)	
Resolution	±7%	1ppm	
Power supply mode	<input type="checkbox"/> DC 12V <input type="checkbox"/> DC 24V <input type="checkbox"/> Other		
Output form	<input type="checkbox"/> Rs485 <input type="checkbox"/> Other		
Load resistance	Voltage type: RL≥1K   Current type: RL≤300Ω		
Working temperature	-50℃ ~ 80℃		
Relative humidity	0~100%		

### Product Size



### Installation method



### Specifications and models

Model	Power supply	output method	Description
NBL-W-THPLC			Temperature, humidity, barometric Pressure, illumination, CO2 sensors
	12V-24V		12V-24V power supply
		W2	Rs485
For example: 12V-W2: Sensor12V power supply, RS485 output			

### Application field



Meteorological



Agriculture



Ocean



Environment



Harbor

NBL-W-51MUWS/The 5-in-1 miniature ultrasonic weather station is a fully digital detection, high-precision sensor, which is integrated by ultrasonic principle wind speed and direction sensor, high-precision digital temperature, humidity, and air pressure sensor, which can accurately and quickly detect wind speed, wind direction, atmospheric temperature, Atmospheric humidity and atmospheric pressure, built-in signal processing unit can output corresponding signals according to user needs, high-strength structural design can work reliably in harsh weather environments

Can be widely used in meteorology, ocean, environment, airports, ports, laboratories, industry and agriculture and transportation and other fields.



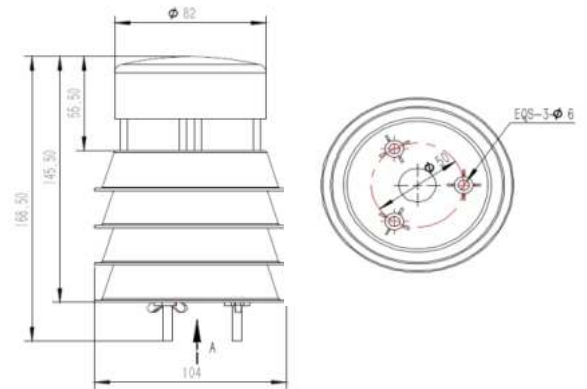
### Performance characteristics

- | Stable performance
- | Anti-static protection
- | Lightning protection measures
- | Low power consumption and IP65 protection design

### Technical parameter

Power supply	DC12V-24V	
Signal output	Rs485	
Baud rate	9600	
Signal output	MODBUS protocol	
Operating temperature	-40-80°C	
Working humidity	0-95%RH	
Standard cable length: 2.5m,	Material: ABS, protection grade: IP65	
Pressure Range	10-1100hPa	
Wind speed	Measuring range	0-40m/s
	Measurement accuracy	±0.5+2%FS
	Resolution	0.01m/s
Wind direction	Measuring range	0-360°
	Measurement accuracy	±3°
	Resolution	1°
Temperature	Measuring range	-50-100°C
	Measurement accuracy	±0.5°C
	Resolution	0.1°C
Humidity	Measuring range	0-100%RH
	Measurement accuracy	±5%RH
	Resolution	0.1%RH

### Product Size



### Installation method



Installation method: 32 hoop and 76 hoop optional (according to the site bracket to choose)

Z-shaped bracket

### Instructions for use

The sensor can be installed in any required direction, the meteorological instrument measures the wind speed and direction on different wind surfaces, and the detector should point the pointing point to the north before fixed installation.

### Application field



Meteorological



Agriculture



Ocean



Environment



Harbor

NBL-W-71GUWS/7-in-one ultrasonic multi-parameter integrated weather sensor is a fully digital detection, high-precision sensors, can quickly and accurately detect the wind speed, wind direction, atmospheric temperature, atmospheric humidity, atmospheric pressure, the built-in signal processing unit can be output according to the user's needs of the corresponding signals, can be optionally integrated with the PM2.5, PM10, noise, radiation, rainfall and other elements. High-strength structural design can work reliably in the harsh climate environment, high integration, rugged. Widely used in meteorology, environment, airports, harbours, laboratories, industry and agriculture, and transport.



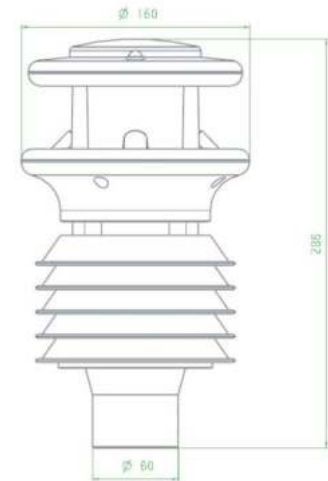
### Performance characteristics

- | Stable performance
- | Anti-static protection
- | Lightning protection measures
- | Low power consumption and IP65 protection design

### Technical parameter

Power supply	DC12V-24V	
Signal output	Rs485	
Baud rate	9600	
Communication protocols	MODBUS protocol	
Operating temperature	-40-80°C	
Working humidity	0-95%RH	
Standard cable length: 2.5m,	Material: ABS, protection grade: IP65	
Measurement range		
Wind speed	Measuring range	0-60m/s
	Measurement accuracy	±0.3+3%FS
	Resolution	0.01m/s
Wind direction	Measuring range	0-359°
	Measurement accuracy	±3°
	Resolution	1°
Temperature	Measuring range	-40-80°C
	Measurement accuracy	±0.5°C
	Resolution	0.1°C
Humidity	Measuring range	0-100%RH
	Measurement accuracy	±5%RH
	Resolution	0.1%RH
Pressure	Measuring range	10-1100 hPa
	Measurement accuracy	±1.5 hPa
	Resolution	0.1 hPa
Illumination	Measuring range	0~200000Lux
	Measurement accuracy	±7%
	Resolution	10Lux
Rainfall	Measuring range	0~8mm/min
	Measurement accuracy	±10%
	Resolution	0.01mm
Radiation	Measuring range	0~1500W/m2
	Measurement accuracy	±10%
	Resolution	1W/m2

### Product Size



### Instructions for use

**Positioning:** generally the device is mounted on a vertical mounting tube to ensure that measurements are taken on the same horizontal plane;  
**Alignment:** the detector should be installed with the pointing point pointing north before fixing.  
**Note:** It is ideal to use a standard compass to determine the geographic north pole direction during installation and to keep the instrument pointing north in the same direction as the compass;

**Note:** Radiation & Illumination can only be either one or the other.

### Application field



Meteorological



Agriculture



Airports



Environment



Harbor

NBL-W-81GUWS/8-in-one ultrasonic multi-parameter integrated weather sensor is a fully digital detection, high-precision sensors, can quickly and accurately detect the wind speed, wind direction, atmospheric temperature, atmospheric humidity, atmospheric pressure, the built-in signal processing unit can be output according to the user's needs of the corresponding signals, can be optionally integrated with the PM2.5, PM10, noise, radiation, rainfall and other elements. High-strength structural design can work reliably in the harsh climate environment, high integration, rugged. Widely used in meteorology, environment, airports, harbours, laboratories, industry and agriculture, and transport.



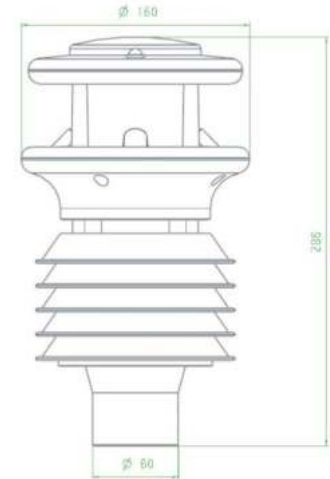
### Performance characteristics

- | Stable performance
- | Anti-static protection
- | Lightning protection measures
- | Low power consumption and IP65 protection design

### Technical parameter

Power supply	DC12V-24V	
Signal output	Rs485	
Baud rate	9600	
Communication protocols	MODBUS protocol	
Operating temperature	-40-80°C	
Working humidity	0-95%RH	
Standard cable length: 2.5m,	Material: ABS, protection grade: IP65	
Measurement range		
Wind speed	Measuring range	0-60m/s
	Measurement accuracy	±0.3+3%FS
	Resolution	0.01m/s
Wind direction	Measuring range	0-359°
	Measurement accuracy	±3°
	Resolution	1°
Temperature	Measuring range	-40-80°C
	Measurement accuracy	±0.5°C
	Resolution	0.1°C
Humidity	Measuring range	0-100%RH
	Measurement accuracy	±5%RH
	Resolution	0.1%RH
Pressure	Measuring range	10-1100 hPa
	Measurement accuracy	±1.5 hPa
	Resolution	0.1 hPa
PM2.5	Measuring range	0~1000ug/m3
	Measurement accuracy	±10%
	Resolution	1ug/m3
PM10	Measuring range	0~2000ug/m3
	Measurement accuracy	±10%
	Resolution	1ug/m3
Noise	Measuring range	30~130dB
	Measurement accuracy	±5dB
	Resolution	0.1dB

### Product Size



### Instructions for use

**Positioning:** generally the device is mounted on a vertical mounting tube to ensure that measurements are taken on the same horizontal plane;  
**Alignment:** the detector should be installed with the pointing point pointing north before fixing.  
**Note:** It is ideal to use a standard compass to determine the geographic north pole direction during installation and to keep the instrument pointing north in the same direction as the compass;

### Application field



Meteorological



Agriculture



Airports



Environment



Harbor

NBL-W-91GUWS/9-in-one ultrasonic multi-parameter integrated weather sensor is a fully digital detection, high-precision sensors, can quickly and accurately detect the wind speed, wind direction, atmospheric temperature, atmospheric humidity, atmospheric pressure, the built-in signal processing unit can be output according to the user's needs of the corresponding signals, can be optionally integrated with the PM2.5, PM10, noise, radiation, rainfall and other elements. High-strength structural design can work reliably in the harsh climate environment, high integration, rugged. Widely used in meteorology, environment, airports, harbours, laboratories, industry and agriculture, and transport.

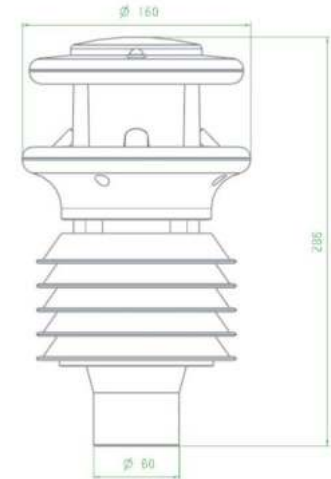


### Technical parameter

Power supply	DC12V-24V	
Signal output	Rs485	
Baud rate	9600	
Communication protocols	MODBUS protocol	
Operating temperature	-40-80°C	
Working humidity	0-95%RH	
Standard cable length: 2.5m,	Material: ABS, protection grade: IP65	
Measurement range		
Wind speed	Measuring range	0-60m/s
	Measurement accuracy	±0.3+3%FS
	Resolution	0.01m/s
Wind direction	Measuring range	0-359°
	Measurement accuracy	±3°
	Resolution	1°
Temperature	Measuring range	-40-80°C
	Measurement accuracy	±0.5°C
	Resolution	0.1°C
Humidity	Measuring range	0-100%RH
	Measurement accuracy	±5%RH
	Resolution	0.1%RH
Pressure	Measuring range	10-1100 hPa
	Measurement accuracy	±1.5 hPa
	Resolution	0.1 hPa
Illumination	Measuring range	0~200000Lux
	Measurement accuracy	±7%
	Resolution	10Lux
PM2.5	Measuring range	0~1000ug/m3
	Measurement accuracy	±10%
	Resolution	1ug/m3
PM10	Measuring range	0~2000ug/m3
	Measurement accuracy	±10%
	Resolution	1ug/m3
Rainfall	Measuring range	0~8mm/min
	Measurement accuracy	±10%
	Resolution	0.01mm
Radiation	Measuring range	0~1500W/m2
	Measurement accuracy	±10%
	Resolution	1W/m2

**Note:** Radiation & Illumination can only be either one or the other.

### Product Size



### Instructions for use

**Positioning:** generally the device is mounted on a vertical mounting tube to ensure that measurements are taken on the same horizontal plane;

**Alignment:** the detector should be installed with the pointing point pointing north before fixing.

**Note:** It is ideal to use a standard compass to determine the geographic north pole direction during installation and to keep the instrument pointing north in the same direction as the compass;

### Application field



Meteorological



Agriculture



Airports



Environment



Harbor

NBL-W-10GUWS/All-in-one ultrasonic multi-parameter integrated weather sensor is a fully digital detection, high-precision sensors, can quickly and accurately detect the wind speed, wind direction, atmospheric temperature, atmospheric humidity, atmospheric pressure, the built-in signal processing unit can be output according to the user's needs of the corresponding signals, can be optionally integrated with the PM2.5, PM10, noise, radiation, rainfall and other elements. High-strength structural design can work reliably in the harsh climate environment, high integration, rugged. Widely used in meteorology, environment, airports, harbours, laboratories, industry and agriculture, and transport.

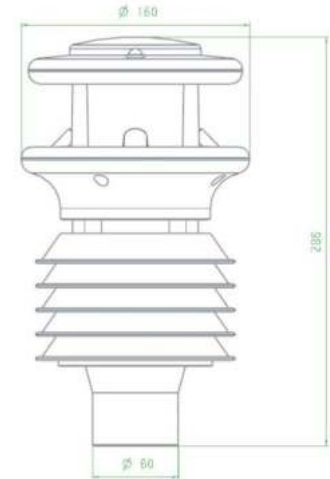


### Technical parameter

Power supply	DC12V-24V	
Signal output	Rs485	
Baud rate	9600	
Communication protocols	MODBUS protocol	
Operating temperature	-40-80°C	
Working humidity	0-95%RH	
Standard cable length: 2.5m,	Material: ABS, protection grade: IP65	
Measurement range		
Wind speed	Measuring range	0-60m/s
	Measurement accuracy	±0.3+3%FS
	Resolution	0.01m/s
Wind direction	Measuring range	0-359°
	Measurement accuracy	±3°
	Resolution	1°
Temperature	Measuring range	-40-80°C
	Measurement accuracy	±0.5°C
	Resolution	0.1°C
Humidity	Measuring range	0-100%RH
	Measurement accuracy	±5%RH
	Resolution	0.1%RH
Pressure	Measuring range	10-1100 hPa
	Measurement accuracy	±1.5 hPa
	Resolution	0.1 hPa
PM2.5	Measuring range	0~1000ug/m3
	Measurement accuracy	±10%
	Resolution	1ug/m3
PM10	Measuring range	0~2000ug/m3
	Measurement accuracy	±10%
	Resolution	1ug/m3
Noise	Measuring range	30~130dB
	Measurement accuracy	±5dB
	Resolution	0.1dB
Illumination	Measuring range	0~200000Lux
	Measurement accuracy	±7%
	Resolution	10Lux
Rainfall	Measuring range	0~8mm/min
	Measurement accuracy	±10%
	Resolution	0.01mm
Radiation	Measuring range	0~1500W/m2
	Measurement accuracy	±10%
	Resolution	1W/m2

**Note:** Radiation & Illumination can only be either one or the other.

### Product Size



### Instructions for use

**Positioning:** generally the device is mounted on a vertical mounting tube to ensure that measurements are taken on the same horizontal plane;

**Alignment:** the detector should be installed with the pointing point pointing north before fixing.

**Note:** It is ideal to use a standard compass to determine the geographic north pole direction during installation and to keep the instrument pointing north in the same direction as the compass;

### Application field



Meteorological



Agriculture



Airports



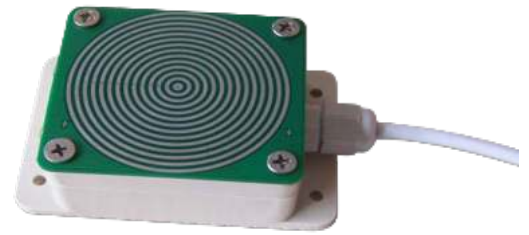
Environment



Harbor

NBL-W-RSS /rain and snow sensor adopts surface grating electrode to sense the external rain and snow condition, and adopts imported intelligent microprocessor inside, which has sensitive response and high measurement precision. Built-in automatic heating device can exclude the rain and snow attached to the interference, to protect the normal operation of the system. Output a set of relay normally open/closed switch signal, convenient for installation and use.

This product can be widely used in meteorology, ocean, environment, airport, port, laboratory, industry and agriculture and transportation and other fields of rain and snow qualitative measurement.

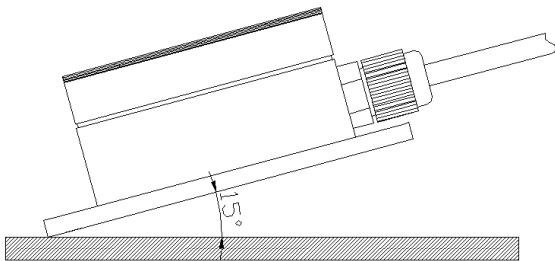


- Built-in automatic heating device
- Easy installation

### Technical parameter

Rain and snow sensor	
Measuring range	Rain, snow present or absent
Working Temperature	-40°C ~ 80°C
Working humidity	≤100%RH
Output Switching	<input type="checkbox"/> Normally open <input type="checkbox"/> Normally closed
Product weight	120 g
Power supply	<input type="checkbox"/> DC12-24V
Power consumption	1.5W

### Installation instruction



Keep the sensor sensing surface approximately 15° from horizontal (to prevent rain or snow build-up from affecting sensor measurements) and secure the sensor to the mount as shown;

### Application field



Hydrographic Station



Weather station



Flood control

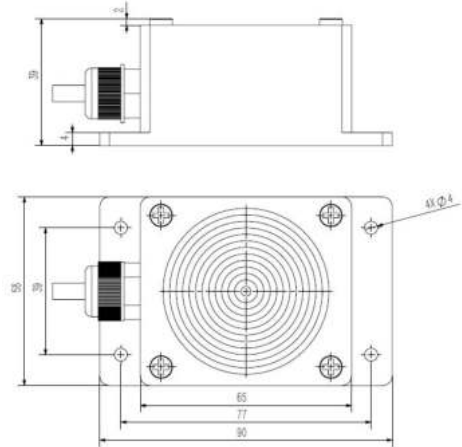


Power Station Reservoir

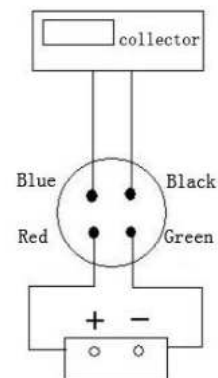


Agriculture and Forestry

### Product Size



### Wiring Method





NBL-W-CO2/The CO2 sensor adopts imported sensing chips and is used to detect the concentration of CO2 in various environments with high precision and good stability. The signal transmitter adopts advanced integrated circuit module, which can output voltage, current and other signals according to different needs of users. The instrument is compact in size, easy to install and reliable in performance; it adopts proprietary circuitry, good linearity, strong load capacity, long transmission distance and strong anti-interference ability.

This product can be widely used in the detection of CO2 concentration in office buildings, public places, greenhouses, production plants and other places.



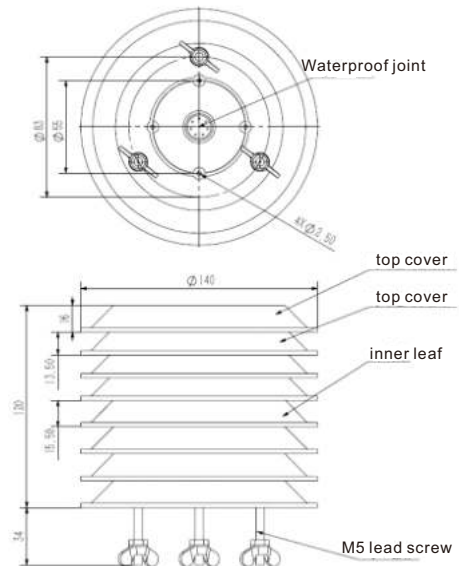
### Performance characteristics

- ▮ Good linearity with proprietary lines
- ▮ High load capacity
- ▮ Long transmission distance
- ▮ High immunity to interference

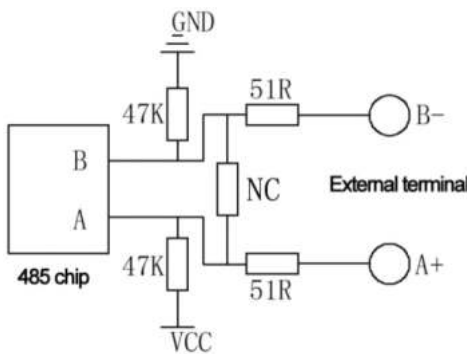
### Technical parameter

Range	0~5000ppm or 0~2000ppm
Accuracy	±(50ppm+3%F·S)
Resolution	1ppm
Power supply mode	<input type="checkbox"/> DC 12V <input type="checkbox"/> DC 24V <input type="checkbox"/> Other
Output form	<input type="checkbox"/> Current: 4~20mA <input type="checkbox"/> Rs485 <input type="checkbox"/> Other
Instrument cable length	<input type="checkbox"/> Standard: 2.5 meters <input type="checkbox"/> Other
Current type	$R_l \leq 250\Omega$
Relative humidity	0~100%
Working temperature	-10 ~50°C
Product weight	140g
Product power consumption	0.2W

### Product Size



### Rs485 Circuit



### Selection table

Number	Power supply Mode	Output Signal	Description
NBL-W-CO2			Carbon dioxide sensor (transmitter)
	12V-24V		12V-24V power supply
		A1	4-20mA
		W2-	Rs485
Example: W-CO2-12V-A1: Carbon dioxide sensor (transmitter) 12V power supply, 4-20mA current signal output			

### Application field



Production plant



Greenhouse



Public spaces



Environment



Office Building

NBL-W-LUX/The illuminance sensor transmitter uses a highly sensitive silicon blue photovoltage detector as the sensor. Users can configure different ranges according to different measuring places, with a wide measuring range, good linearity, good waterproof, easy installation, suitable for long-distance transmission and other characteristics.

It can be widely used in agricultural greenhouses, urban lighting and other places.

### Performance characteristics

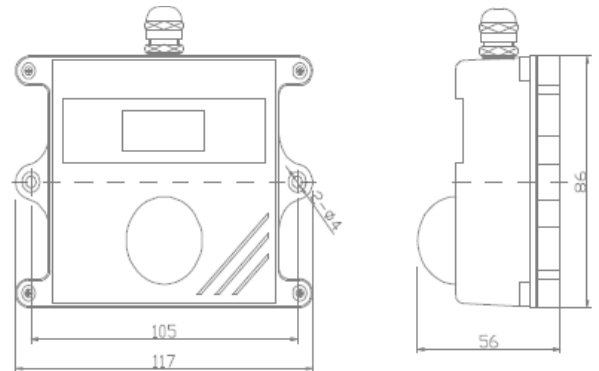
- | Wide measuring range
- | Good linearity and waterproofness
- | Easy to install
- | Suitable for long distance transmission



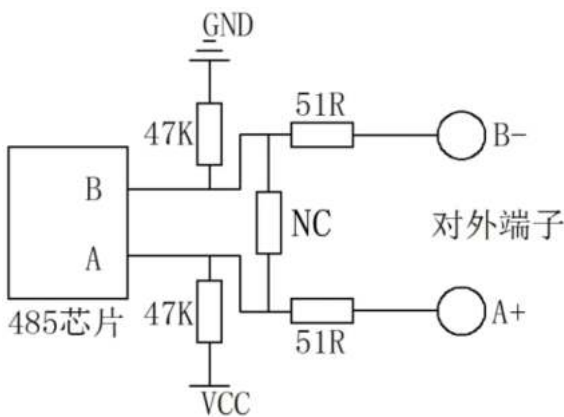
### Technical parameter

Measuring range	0-200000Lux
Wavelength range	380 nm-730 nm
Accuracy	±7%
Power supply mode	<input type="checkbox"/> DC 12V <input type="checkbox"/> DC 24V <input type="checkbox"/> Other
Output form	Current: 4~20mA <input type="checkbox"/> Voltage: 0~5V <input type="checkbox"/> Rs485 <input type="checkbox"/> Other
Instrument cable length	<input type="checkbox"/> Standard: 2.5 meters <input type="checkbox"/> Other
Load Resistance	<input type="checkbox"/> Voltage type: $RL \geq 1K$ <input type="checkbox"/> Current type: $RL \leq 300\Omega$
Working temperature	-10°C ~ 70°C
Relative humidity	0~80%RH
Product weight	170 g

### Product Size



### Rs485 circuit



### Specifications and models

Model	Power supply	output method	Description
NBL-W-LUX			Illuminance sensors
	5V-		5V supply
	12V-		12V supply
	24V-		24 V supply
		V	0-5V
		A1	4-20mA
		W2	Rs485
Example: 12V-A1:Illuminance sensor 12V power supply, 4-20mA output			

### Application field



Meteorological



Agriculture



Conservatories



Environment



Livestock farming

NBL-W-SDS Sunshine Duration Sensor is used for continuous measurement of sunshine hours, when the value of radiation voltage irradiated on the instrument is greater than a preset threshold (200mv), the time is accumulated, and the zero point of each day is cleared, and it is automatically recorded by the collector as the number of sunshine hours. The instrument itself has no moving parts and low power consumption, making it suitable for long-term observation in the field.

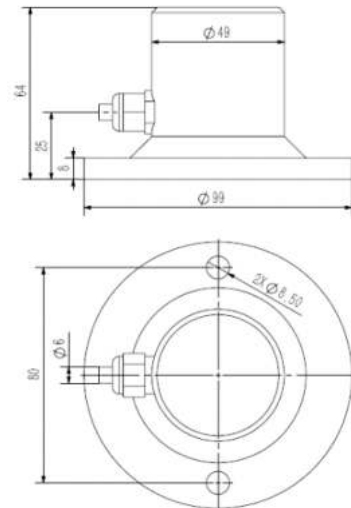
The core device of NBL-W-SDS Sunshine Duration Sensor is a high-precision light-sensing element with good stability and high precision; meanwhile, a quartz glass cover made of precision optical cold processing and grinding is installed outside the sensing element, which effectively prevents the influence of environmental factors on its performance. The product can be widely used in meteorology, energy, agriculture, construction and other fields.



### Technical parameter

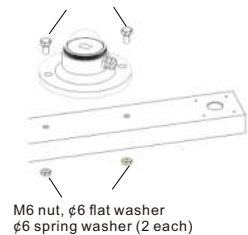
Measuring range	0 ~ 24h
Working environment	Temperature -50 C ~ 80 C Humidity ≤100%RH
Power supply	DC 12-24V
Output format	□4~20mA □0~2.5V □0~5V □RS485
Product power consumption	0.15W
Spectral range	0.3 ~ 3μm
Response time	<5s
Temperature dependent	<±0.08%℃
Temperature characteristic	2%(-10℃ ~ +40℃)
Cosine Response	<±10% (when the sun altitude angle is 10°)
Nonlinear	<±2%
Annual rate of change	<±2%
Product weight	Sensor 420g with transmitter 760g
Line length	2.5m

### Product Size



### Installation method

M6\*20 Hexagon Screws (2pcs)



M6 nut, φ6 flat washer  
φ6 spring washer (2 each)

1. Make sure the mounting bracket is parallel to the ground;
2. As shown in the figure, use M6 screws and nuts to fix the sensor on the mounting bracket through the 2 mounting holes on the sensor;
3. Please avoid disassembling the sensor during the installation process

### Specifications and models

Model	Power supply	output method	Description
NBL-W-SDS			Sunshine Duration Sensor
	12V-24V		12-24V power supply
		V	0-5V
		V2	0-2.5V
		A1	4-20mA
		W2	Rs485
Example: 12V-24V-A1: Sunshine Duration Sensor 12V-24V power supply, 4-20mA current signal output			

### Application field



Climate sounding



Agriculture



Meteorological sounding



Building



Energy

NBL-W-PARS /Photosynthetic Effective Radiation Meter also known as (PAR sensor) is mainly used to measure the photosynthetic effective radiation of natural light in the wavelength range of 400-700nm and is simple to use, can be directly connected to a digital voltmeter or data collector, and can be used in all-weather conditions.

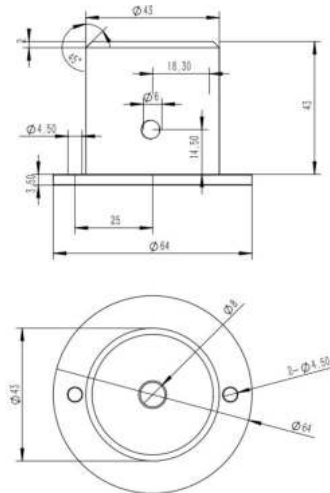
The meter uses a silicon photodetector and passes through a 400 to 700nm optical filter. When there is light irradiation, a voltage signal proportional to the intensity of the incident radiation is generated, and its sensitivity is proportional to the cosine of the angle of direct incidence of the incident light, and each photosynthetically active radiation meter unit is W/m<sup>2</sup>, which is widely used in agrometeorology, crop growth research.



### Technical parameter

Measuring range	0 ~ 2000W/m <sup>2</sup>
Spectral range:	400-700nm
Power supply	<input type="checkbox"/> DC12V-24V
Output	<input type="checkbox"/> 0~2.5V <input type="checkbox"/> 0~5V <input type="checkbox"/> RS485
Working environment	Temperature -40°C~60°C, humidity≤100%RH
Cosine correction:	up to 80° angle of incidence
Response time	approx. 1s (99%)
Temperature dependence:	max 0.05%/°C
Sensitivity:	5~50μv/μmol·s <sup>-1</sup>
Internal resistance:	<2K
Line length	2.5m

### Product Size



### Installation and Maintenance

#### 1. Selection of site

The ideal location for PAR Sensors should be free of any obstacles at the upper end of its sensing element, ensure that there are no obstacles with a height angle of more than 5° on the sunrise and sunset bearing, and should avoid the phenomenon of shadows falling on the sensing surface.

#### 2.Installation

It is recommended that users check the delivered products for any damage caused by transport before installation, and should contact the manufacturer in time.

NBL-W-PARS/PAR Sensors has 2 screw holes with 2 stainless steel screws. Firstly, fix the photosynthetically active radiation meter firmly on the bracket, adjust the horizontal position and tighten it, then connect the output wire to the data collector box, then you can observe.

#### 3.Maintenance

The photosynthetically active radiation sensor that works continuously is checked at least once a week, and the content of the check mainly depends on whether the cosine correction piece is clean or not, such as the appearance of ice, snow, dust, etc. should try to remove these deposits.

If a digital voltmeter is used for measurement, the measured voltage value divided by the sensitivity coefficient of the photosynthetically active radiation meter is the radiation quantity.

### Specifications and models

Model	Power supply	output method	Description
NBL-W-PARS			PAR sensor
	12V-24V		12-24V power supply
		V	0-5V
		V2	0-2.5V
		W2	Rs485
Example: 12V-24V-W2: PAR sensor 12V-24V power supply, RS485 signal output			

### Application field



Meteorological studies



Agriculture



Meteorological sounding

Noise sensor is a device used to measure noise, which senses, measures and analyses noise levels in the environment. Such sensors have a variety of application scenarios, such as urban environment monitoring, industrial noise control, medical devices, and sleep monitoring.

In urban environment monitoring, noise sensors are placed in different areas of the city to monitor the noise levels in the city.

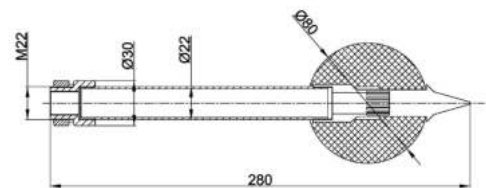
In terms of industrial noise control, noise sensors can be used to monitor noise levels in workplaces to ensure that they meet health and safety standards.



### Technical parameter

Noise sensor	
Measuring range	30~130dB.
Frequency range	31.5Hz to 8kHz.
Microphone:	Condenser microphone.
Output	RS485
Microphone size	0.5 inches.
Power supply	<input type="checkbox"/> DC12-24V
Working temperature	-15-50°C
Working humidity	<80%

### Product Size



### Installation instruction



### Wiring Method

Red: Power +

Black (Green): Power -

Yellow: A+/TX

Blue: B-/RX

### Application field



Metro



City



Park



Factory



Interior Architecture

NBL-W-SNOW/Snow Depth Sensor The snow sensor is an intelligent snow depth sensor that uses ultrasonic telemetry technology to realize automatic and continuous monitoring of snow depth; it calculates the snow depth by transmitting 50KHz ultrasonic waves to measure the time difference from the process of transmitting to returning the signal.

This product can be widely used in the measurement of meteorology, airports, ports, laboratories, industry, agriculture and transportation.



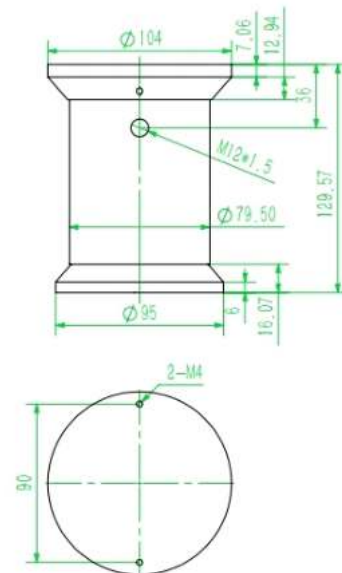
### Performance characteristics

- | Low power consumption
- | Stable performance
- | All-in-one design
- | Lp66 protection design

### Technical parameter

Power	City electricity
Power	DC 12V
Communication	Rs485
Power consumption	Normal temperature: 180mW Low temperature (<5°C) turn on heating: 3 W
Baud rate	9600bps
Working environment	-40—50°C; ≤ 100%RH
Storage environment	-40—65≤ 100%RH
Measuring range	01000mm
Measurement precision	±0.1%FS
Length of cable	Standard 5 meters

### Product Size



### Front view



### Selection table

Number	Power supply Mode	Output Signal	Description
NBL-W-SNOW			Snow Depth Sensor
	12V-24V		12V power supply
		W2-	Rs485
Example:W-SNOW-12V-A1: Snow Depth Sensor 12V power supply			

### Application field



Meteorological



Agriculture



Snow



Environment



Harbor

NBL-W-VS/Visibility meters provide measurements related to meteorological visibility, and the sensors are designed based on the aerosol forward scattering principle, which is a new generation of meteorological visibility monitoring equipment developed following the transmission visibility meter.

The visibility meter is composed of light transmitter, light receiver and microprocessor controller and other main components. The transmitter emits infrared pulse light, the receiver simultaneously detects the intensity of the pulse light scattered by the forward scattering of aerosol particles in the atmosphere, and all the measurement information is collected by the microprocessor controller and converted into Meteorological Optical Range (MOR) through special mathematical modelling algorithms.

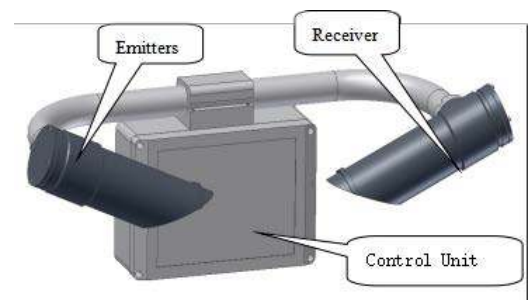
The sensor can be widely used in meteorological stations, remote automatic weather stations, and airports, highways, airways, large ships and other transport sectors.



### Technical parameter

Visibility sensor	
Measuring range	Basic:5-10KM Extended type:5-20KM
Working Temperature	-40℃ ~ 80℃
Working humidity	≤ 95%RH
Output	RS485
Product weight	<10Kg
Power supply	□DC12V
Power consumption	0.8W
Technical principle	Light scattering
Material	Anodised rigid aluminium with painted exterior
Size	610mm x 230mm x 300mm
Protection class	IP65

### Structure composition



### Instrument Benefits

- Structural features: visibility meter with integrated structure design, can also be used as a portable instrument; unique double scattering receiver structure design.
- The transmitter and receiver window lenses have been treated with special anti-dust and anti-mould coating.
- Materials: High quality rigid aluminium and 316 stainless steel with anodized passivated surfaces; the interior of the housing is sealed for coastal climate adaptability.
- Real-time data display: the sensor can output a series of digital information every 60 seconds.

### Installation instruction



Front Mounting Diagram



Rear Mounting Diagram

### Application field



Airports



Weather station



waterways



Highways



Ports

NBL-W-HPRS/The high-precision total solar radiation sensor adopts the principle of thermoelectric induction and is used in conjunction with various radiation recorders or radiation ammeters to accurately measure the sun's TBQ total radiation, reflected radiation, scattered radiation, infrared radiation, visible light, ultraviolet radiation, long-wave radiation, etc.

It can be widely used in solar energy utilization, meteorology, agriculture, aging of building materials and air pollution to measure solar radiation energy.



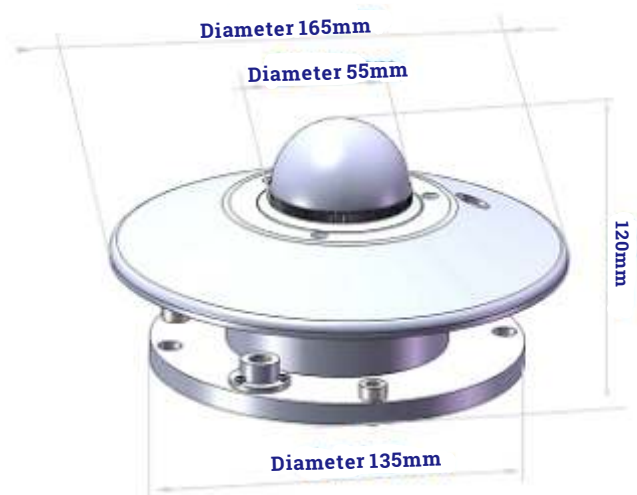
### Performance characteristics

- | Stable performance
- | Anti-static and lightning protection measures
- | Unique structure design
- | Low power consumption and IP65 protection design

### Technical parameter

Sensitivity	7 ~ 14 $\mu$ V / w.m-2
Response time	$\leq$ 35 seconds (99%)
Internal resistance	About 350 $\Omega$
Weight	2.5kg
Spectral range	0.3 ~ 3 $\mu$ m
Yearly Stability	$\pm$ 2%
Cosine Response	$\leq$ $\pm$ 7% (when the sun altitude angle is 10°)
Azimuth response error	$\leq$ 5% (when the sun altitude angle is 10°)
Temperature characteristic	2%(-10 $^{\circ}$ C ~ +40 $^{\circ}$ C)
Working ambient temperature	-40 $^{\circ}$ C ~ +50 $^{\circ}$ C
Test Range	0 ~ 2000W/m2
Signal output	0 ~ 20mV
Non-linear	$\pm$ 2%
Power supply	<input type="checkbox"/> DC5V <input type="checkbox"/> DC12V <input type="checkbox"/> 24V
Output format	<input type="checkbox"/> 4~20mA <input type="checkbox"/> 0~2.5V <input type="checkbox"/> 0~5V <input type="checkbox"/> 0~20mV <input type="checkbox"/> RS485

### Product Size



### Installation method



The sensor should be installed in an open area without any obstacles above the sensing surface

### Instructions for use

It is installed in a place where the surrounding area is open and there are no obstacles above the sensing surface. Then, align the pyranometer cable plug to the north, adjust the horizontal position, fix it firmly, and then connect the high-precision pyranometer output cable with the acquisition device to observe. It is best to attach the cables securely to the mount to reduce breaks or intermittent interruptions on windy days

### Application field



Climate sounding



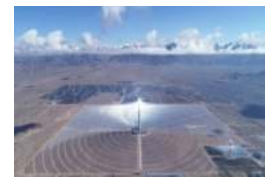
Agriculture



Meteorological sounding



Atmosphere



Solar energy utilization



NBL-W-SRS/The total radiation sensor can be used to measure the total solar radiation in the spectral range of 0.3-3 $\mu$ m, and if the sensor is turned downward, it can measure the reflected radiation, and with the shading ring, it can also measure the scattered radiation. The core device of the radiation sensor is a high-precision photoreceptor, which has good stability and high precision; at the same time, a quartz glass cover is installed outside the sensing element, which is made of precision optical cold-processing and grinding, and effectively prevents the influence of environmental factors on its performance.

The product can be widely used in meteorology, energy, agriculture, construction and other fields.

### Performance characteristics

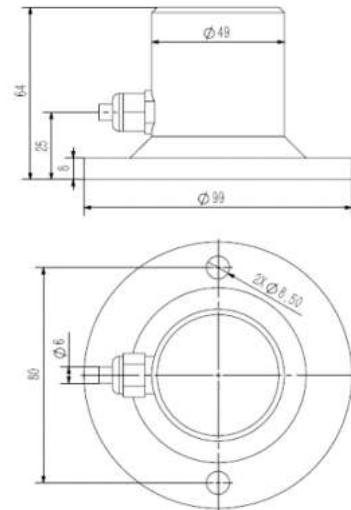
- | Stable performance
- | Anti-static and lightning protection measures
- | High precision, down-tilt structure
- | Low power consumption and IP65 protection design



### Technical parameter

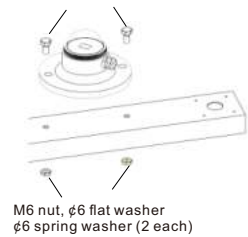
Measuring range	0 ~ 1500W/m <sup>2</sup>
Working environment	Temperature -20℃~65℃ , humidity≤100%RH
Power supply	<input type="checkbox"/> DC5V <input type="checkbox"/> DC12V-24V
Output format	<input type="checkbox"/> 4~20mA <input type="checkbox"/> 0~2.5V <input type="checkbox"/> 0~5V <input type="checkbox"/> RS485
Product power consumption	1.8mW
Spectral range	0.3 ~ 3 $\mu$ m
Response time	<5s
Temperature dependent	< $\pm$ 0.08%℃
Temperature characteristic	2%(-10℃ ~ +40℃)
Cosine Response	< $\pm$ 10% (when the sun altitude angle is 10°)
Nonlinear	< $\pm$ 2%
Annual rate of change	< $\pm$ 2%
Product weight	Sensor 420g with transmitter 760g
Line length	2.5m

### Product Size



### Installation method

M6\*20 Hexagon Screws (2pcs)



M6 nut,  $\phi$ 6 flat washer  
 $\phi$ 6 spring washer (2 each)

1. Make sure the mounting bracket is parallel to the ground;
2. As shown in the figure, use M6 screws and nuts to fix the sensor on the mounting bracket through the 2 mounting holes on the sensor;
3. Please avoid disassembling the sensor during the installation process

### Specifications and models

Model	Power supply	output method	Description
NBL-W-SRS			Total radiation sensor
	12V-24V		12-24V power supply
		V	0-5V
		V2	0-2.5V
		A1	4-20mA
		W2	Rs485
Example: 12V-24V-A1: total radiation sensor 12V-24V power supply, 4-20mA current signal output			

### Application field



Climate sounding



Agriculture



Meteorological sounding



Building



Energy

NBL-W-PPT/The photovoltaic chip temperature sensor adopts high-precision thermal resistance as the sensing component, which has the characteristics of high measurement accuracy and good stability. Using advanced circuit integrated modules, the temperature can be converted into corresponding voltage or current signals according to the different needs of users.

It can be widely used in photovoltaic power generation, environmental monitoring, airports, ports, laboratories, agricultural planting, etc.



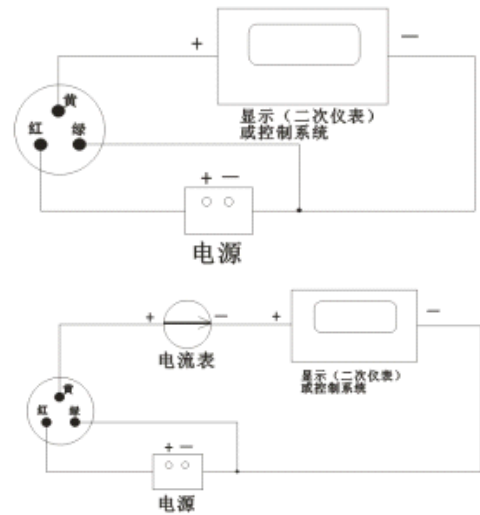
### Performance characteristics

- | Adopt dedicated line, good linearity
- | With high measurement accuracy and good stability
- | long transmission distance
- | Strong anti-interference ability

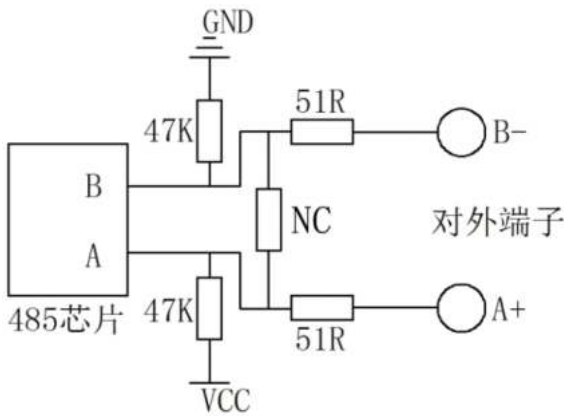
### Technical parameter

Measuring range	<input type="checkbox"/> -50~100℃ <input type="checkbox"/> -20~50 ℃
Accuracy	±0.5℃
Power supply mode	<input type="checkbox"/> DC5V <input type="checkbox"/> DC12V <input type="checkbox"/> DC24V <input type="checkbox"/> Other
Output format	<input type="checkbox"/> 4~20mA <input type="checkbox"/> 0~2.5V <input type="checkbox"/> 0~5V <input type="checkbox"/> RS485 Other
Instrument cable length	<input type="checkbox"/> Standard: 5 meters <input type="checkbox"/> Other
Load Resistance	<input type="checkbox"/> Voltage type: RL≥1K <input type="checkbox"/> Current type: RL ≤250Ω
Operating temperature	-50℃ ~ 100℃
Relative humidity	0 ~ 100%RH
Product weight	Probe 125g
Product power consumption	0.15W

### Product Size



### Rs485 circuit



### Specifications and models

Model	Power supply	output method	Description
NBL-W-PPT			SMD temperature sensor
	12V-24V		12-24V Powered
		0	No transmission
		V	0-2.5V
		A1	4-20mA
		W2	Rs485
Example: 12V-A1:SMD temperature sensor 12V power supply, 4-20mA output			

### Application field



Meteorological



Agriculture



Ocean



Environment



Harbor

## Product application scenarios



**Provide accurate meteorological and agricultural sensors·  
Promoting agricultural smart and precision meteorological  
services for sustainable development.**



**NiuBoL**

Changsha Zoko Link Technology Co., Ltd

Tel: +8615367865107

WhatsApp/WeChat: +8615367865107

Email:sales@niubol.com

Website:<https://www.niubol.com>

Address: Room 102, Zone D, Houhu Industrial Park, Yuelu  
District, Changsha City, Hunan Province, China